

LISTED



888H



APPROVED

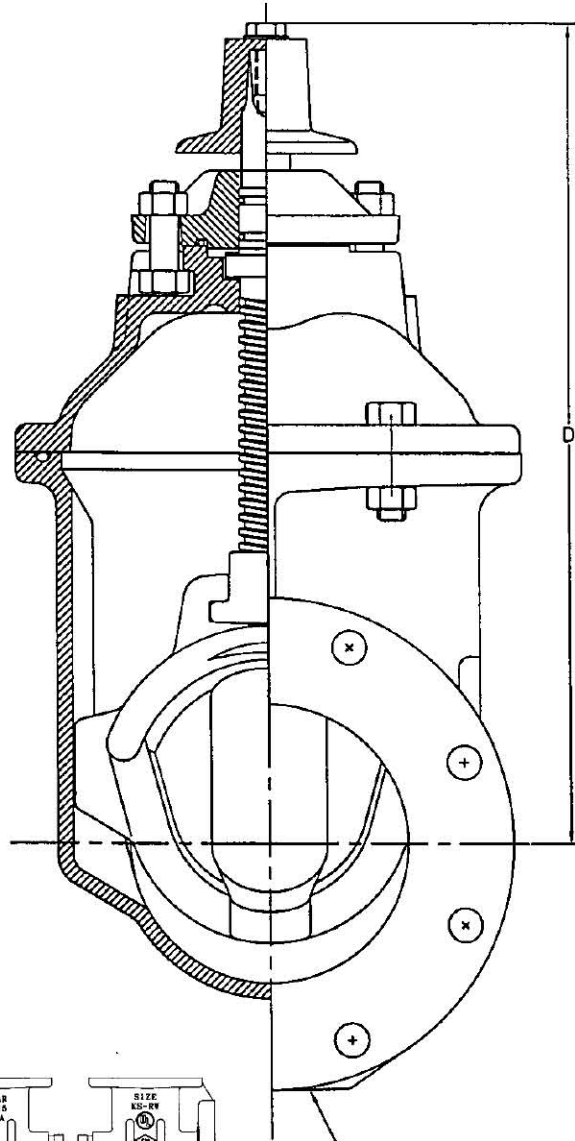
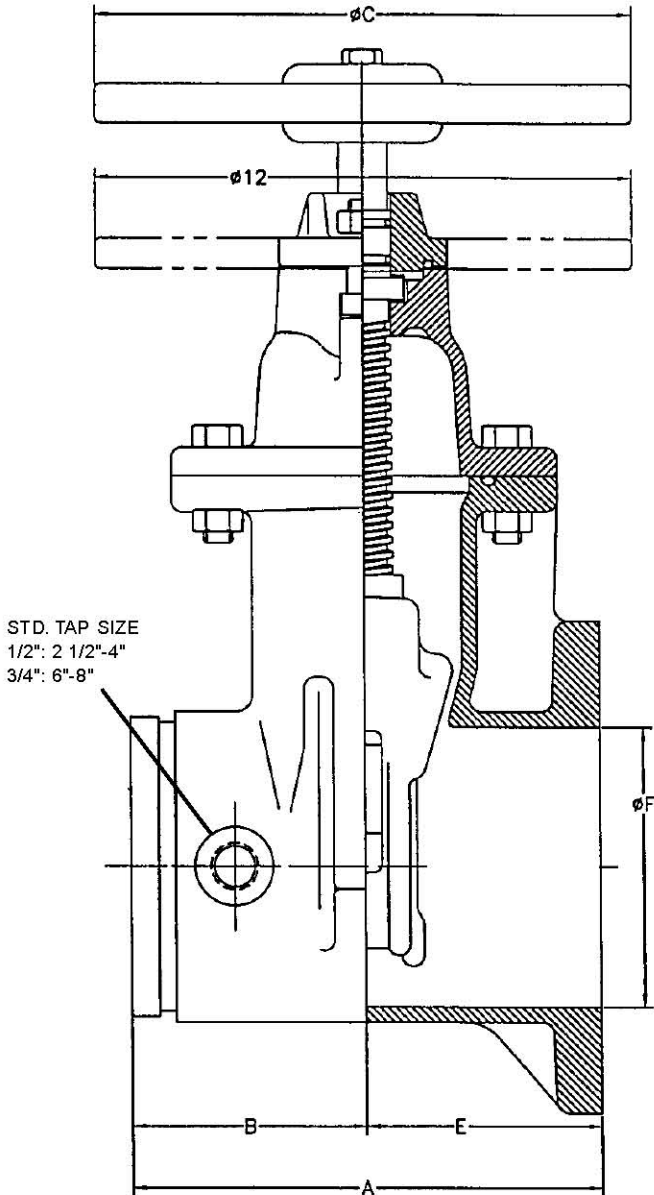


**2 1/2"-8" R/S VALVE GROOVE x FLANGE
NRS GENERAL DIMENSIONS**

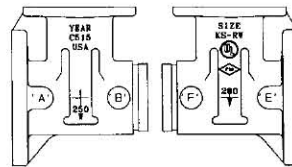
KENNEDY VALVE MODEL KS-RW

Complies with applicable requirements of AWWA C515

**7592ABF
7592PABF**



Flanges
ANSI B16.1 CL 125



BOSS LOCATION

GRV X FLG VALVES TAPPED & PLUGGED @ POSITION "A", "B", "F"

VALVE SIZE	A	B	C	D	E	F
2 1/2	7 1/2	3 3/4	7 1/4	10 7/8	3 3/4	2 1/2
3	8	4	10	12 3/8	4	3
4	9	4 1/4	10	14 3/4	4 1/2	4 1/4
6	10 1/2	5 1/4	12	19	5 1/4	6 1/4
8	11 1/2	5 3/4	14	22 1/2	5 3/4	8 1/4

LISTED

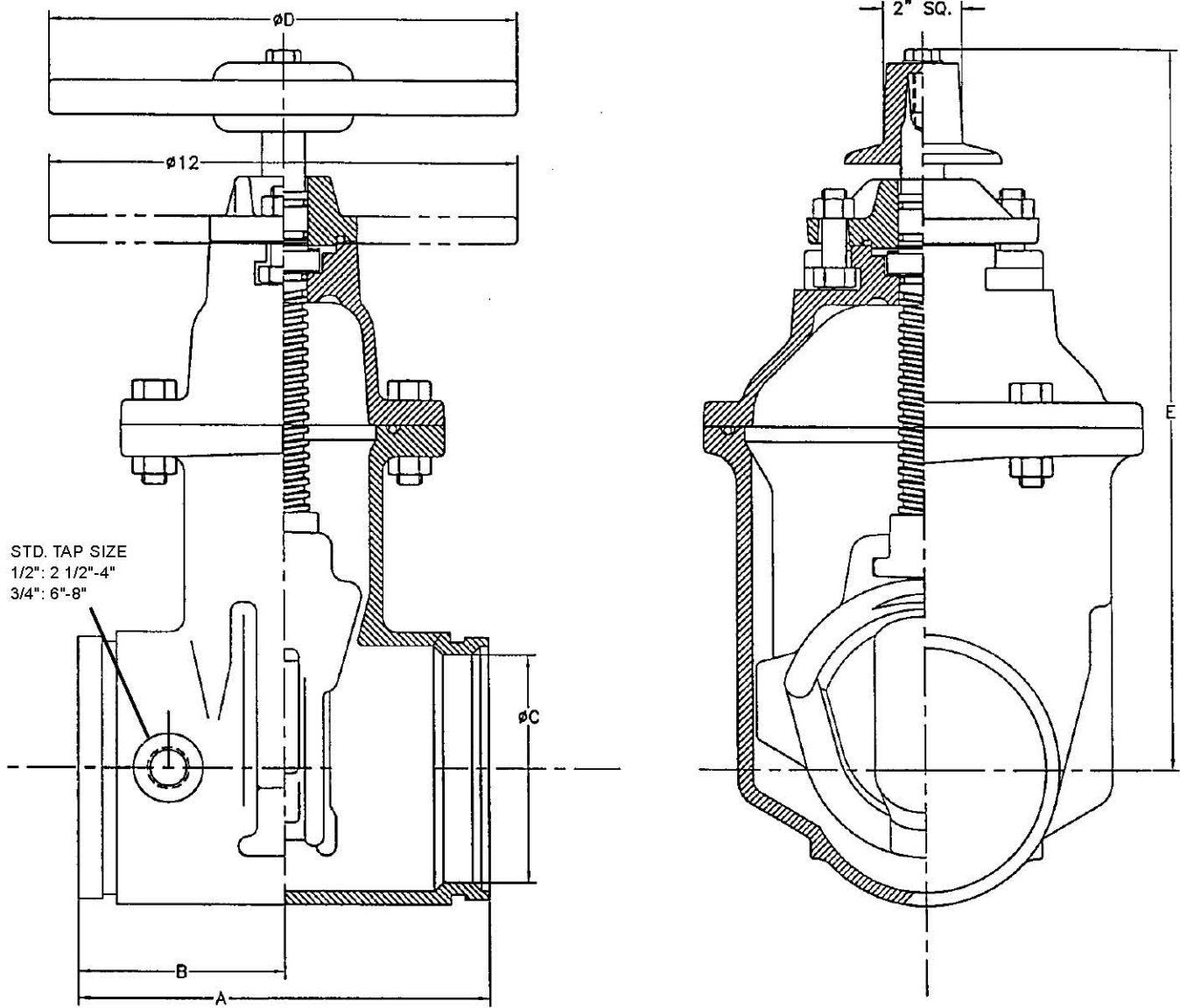


Complies with applicable requirements of AWWA C515

2 1/2"-8" R/S VALVE GROOVE ENDS
NRS GENERAL DIMENSIONS

KENNEDY VALVE MODEL KS-RW

7593ABF
7593PABF



GROOVED VALVES TAPPED & PUGGED @ POSITION "A"

VALVE SIZE	A	B	C	D	E
2 1/2	7 1/2	3 3/4	1.97	7 1/4	10 7/8
3	8	4	2.63	10	12 3/8
4	9	4 1/2	3.75	10	14 3/4
6	10 1/2	5 1/4	5.80	12	19
8	11 1/2	5 3/4	7.67	14	22 1/2