

# Y-TYPE STRAINER



## TECHNICAL DATA

SIZES	2" (50NB), 2.5" (65NB), 3" (80NB), 4" (100NB), 6" (150NB), 8" (200NB), 10" (250NB), 12" (300NB)
MAXIMUM WORKING PRESSURE	300 PSI (21 Kg/cm <sup>2</sup> )
TEMPERATURE RATING	0 - 100°C
BODY	Ductile iron conforming to ASTM A-536, Grade 65-45-12
SCREEN	AISI 304
COATING	Fusion Bond Epoxy Coating (RAL 3000)
APPROVALS	UL Listed
MODEL	Flanged Type: YSF Grooved Type: YSG (Refer Table-I)
WEIGHT	Refer Table-II



## DESCRIPTION

HD Y-Type Strainers are used for filtering out the dirt, rust, and other debris in the water flow protecting the piping equipment such as pumps, meters, valves, and other equipment in the piping system. All strainers are equipped with a retainer cap which allows easy access to the stainless steel screen for cleaning.

Strainers should be installed horizontally with the cap facing downwards with access to remove the basket/screen. Direction of water flow is marked on the strainers.

TABLE - I

Model	Description
YSF	Y-Type Strainer with Flange Ends ASME B16.1 Class 125 FF OR BS EN 1092-2 PN16 (Note: Please specify one of above option in your order)
YSG	Y-Type Strainer with Grooved Ends ANSI/ AWWA C606

## NOTE

Optional items must be clearly mentioned in your inquiry and purchase order for clarity. If optional items are not mentioned, standard supply will be assumed.

## INSTALLATION

HD Y-Type Strainers are supposed to be horizontally installed with flow direction as marked on the valve and basket/screen facing downwards. The Strainer must be installed in an area not subject to physical damage. When corrosive atmospheres and/or contaminated water supplies are present, it is the owner's responsibility to verify compatibility with the Strainer and associated equipment.

HD Y-Type Strainer flanges are Ductile Iron ANSI B16.1, Class 125, with a maximum water working pressure of 300 psi (20.7 bar). ANSI B16.42, Class 125 flanges are not compatible with ANSI Class 250 or Class 300 flanges.

HD Y-Type Strainers described herein must be installed and maintained in compliance with this document and with the applicable standards of the National Fire Protection Association (NFPA), in addition to the standards of any authorities having jurisdiction. Failure to do so may impair the performance of these devices.

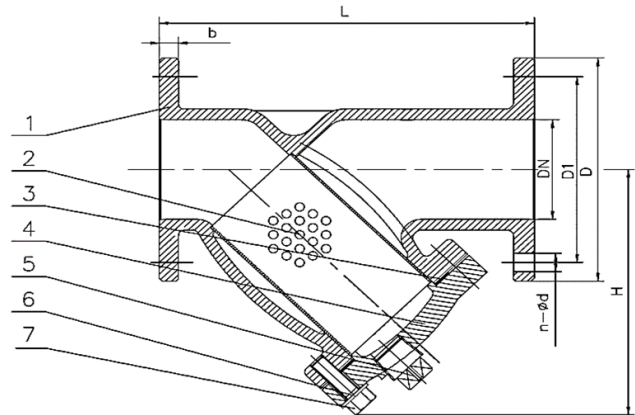
## CAUTION

Y-Type Strainers must be inspected, tested and maintained as instructed above, in addition to the requirement of NFPA, or as per requirement of authority having jurisdiction. The owner is responsible for the inspection, testing and maintenance of the system.

## Y-TYPE STRAINER WITH FLANGE ENDS (YSF)

### Screen Data

Size		Sieve No.	Hole Dia. (mm)	Free Flow Area (%)
Inch	mm			
2" - 2½"	50-65	25	4	48
3" - 4"	80-100	19	5	59
6" - 12"	150-300	13	6.3	64



### Part List

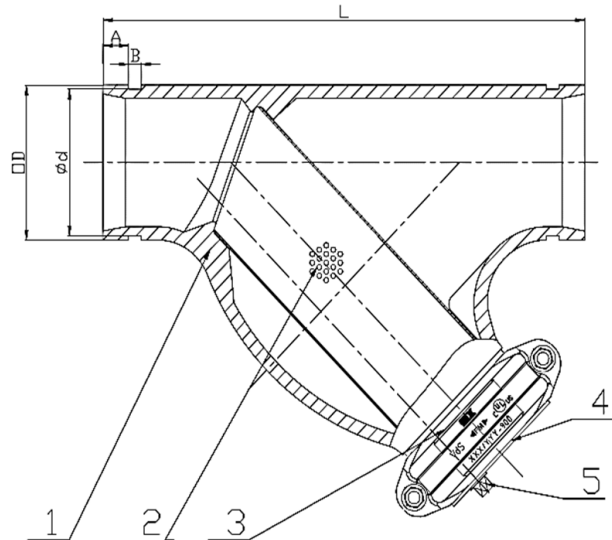
Part No.	Part	Material	Specification
1	Strainer Body	Ductile Iron	ASTM A536 65-45-12
2	Screen	Stainless Steel	AISI 304 (Perforated)
3	Gasket	EPDM	Commercial
4	Cover	Ductile Iron	ASTM A536 65-45-12
5	Plug	Malleable Iron	Galvanized
6	Bolt	Carbon Steel	Zinc Plated
7	Flat Washer	Carbon Steel	Zinc Plated

Size		Dimensions (mm)								Drain Plug
Metric	Inch	L	D	b	H	D1		n-Ød		BSP Thread
						ANSI	PN16	ANSI	PN16	
DN50	2"	200	152	16	155	120.7	125	4-Ø19.1	4-Ø19.1	1"
DN65	2½"	254	178	17.5	165	139.7	145	4-Ø19.1	4-Ø19.1	1"
DN80	3"	257	191	19	180	152.4	160	4-Ø19.1	8-Ø19.1	1"
DN100	4"	308	229	24	229	190.5	180	8-Ø19.1	8-Ø19.1	1"
DN150	6"	470	279	25.5	311	241.3	240	8-Ø22.2	8-Ø23	1½"
DN200	8"	549	343	28.5	394	298.5	295	8-Ø22.2	12-Ø23	1½"
DN250	10"	654	406	30.5	487	362.0	355	12-Ø25.5	12-Ø28	2"
DN300	12"	759	483	32	547	431.8	410	12-Ø25.5	12-Ø28	2"

## Y-TYPE STRAINER WITH GROOVED ENDS (YSG)

### Screen Data

Size		Sieve No.	Hole Dia. (mm)	Free Flow Area (%)
Inch	mm			
2" - 2½"	50-65	25	4	48
3" - 4"	80-100	18	5	53
6" - 12"	150-300	12	6.3	56



### Part List

Part No.	Part	Material	Specification
1	Strainer Body	Ductile Iron	ASTM A536 65-45-12
2	Screen	Stainless Steel	AISI 304 (Perforated)
3	Rigid Coupling	Ductile Iron	ASTM A536 65-45-12
	Coupling Gasket	EPDM	Commercial
4	Cap	Ductile Iron	ASTM A536 65-45-12
5	Plug	Malleable Iron	Galvanized

Size		Pipe	Drain Plug	Dimensions (mm)			
Metric	Inch	O.D. (mm)	BSP Thread (mm)	L	Ød	A	B
DN50	2"	60.3	15	247.5	57.2	15.9	7.9
DN65	2½"	73	25	273	69.1	15.9	7.9
		76.1			72.3	15.9	7.9
DN80	3"	88.9	25	298.5	84.9	15.9	7.9
DN100	4"	114.3	40	362	110.1	15.9	9.5
DN150	6"	165.1	50	470	160	15.9	9.5
		168.3			164	15.9	9.5
DN200	8"	219.1	50	609	214.4	19.1	11.1
DN250	10"	273	50	686	268.3	19.1	12.7
DN300	12"	323.9	50	762	318.3	19.1	12.7

TABLE - II

YSF Strainer		YSG Strainer	
Size	Weight (kg)	Size	Weight (kg)
2"	8.7	2"	3.8
2½"	12.2	2½" (OD 73 mm)	6.2
3"	13.8	2½" (OD 76 mm)	6.4
4"	23.9	3"	9.2
6"	43.8	4"	15.3
8"	75.4	6" (OD 165 mm)	32.0
10"	109.3	6" (OD 168 mm)	32.7
12"	173.1	8"	70.9
-	-	10"	108.6
-	-	12"	159.4

**LIMITED WARRANTY**

HD FIRE PROTECT PVT. LTD. hereby referred to as HD FIRE warrants to the original purchaser of the fire protection products manufactured by HD FIRE and to any other person to whom such equipment is transferred, that such products will be free from defect in material and workmanship under normal use and care, for two (2) years from the date of shipment by HD FIRE. Products or Components supplied or used by HD FIRE, but manufactured by others, are warranted only to the extent of the manufacturer's warranty. No warranty is given for product or components which have been subject to misuse, improper installation, corrosion, unauthorized repair, alteration or un-maintained. HD FIRE shall not be responsible for system design errors or improper installation or inaccurate or incomplete information supplied by buyer or buyer's representatives. HD FIRE will repair or replace defective material free of charge, which is returned to our factory, transportation charge prepaid, provided after our inspection the material is found to have been defective at the time of initial shipment from our works. HD FIRE shall not be liable for any incidental or consequential loss, damage or expense arising directly or indirectly from the use of the product including damages for injury to person, damages to property and penalties resulting from any products and components manufactured by HD FIRE. HD FIRE shall not be liable for any damages or labour charges or expense in making repair or adjustment to the product. HD FIRE shall not be liable for any damages or charges sustained in the adaptation or use of its engineering data & services. In no event shall HD Fire's product liability exceed an amount equal to the sale price. The foregoing warranty is exclusive and in lieu of all other warranties and representation whether expressed, implied, oral or written, including but not limited to, any implied warranties or merchantability or fitness for a particular purpose. All such other warranties and representations are hereby cancelled.

**NOTICE :**

The equipment presented in this bulletin is to be installed in accordance with the latest publication standards of NFPA or other similar organisations and also with the provision of government codes or ordinances wherever applicable.

The information provided by us is to the best of our knowledge and belief, and consist of general guidelines only. Site handling and installation control is not in our scope. Hence we give no guarantee for result and take no liability for damages, loss or penalties whatsoever, resulting from our suggestion, information, recommendation or damages due to our product.

Product development is a continuous programme of HD FIRE PROTECT PVT. LTD. and hence the right to modify any specification without prior notice is reserved with the company.



**HD FIRE PROTECT PVT. LTD.**  
Protecting What Matters Most to You

D-6/2, ROAD NO. 34, WAGLE INDUSTRIAL ESTATE, THANE 400 604, INDIA.  
 • TEL: + (91) 22 2158 2600 • FAX: +(91) 22 2158 2602  
 • EMAIL: info@hdfire.com • WEB: www.hdfire.com